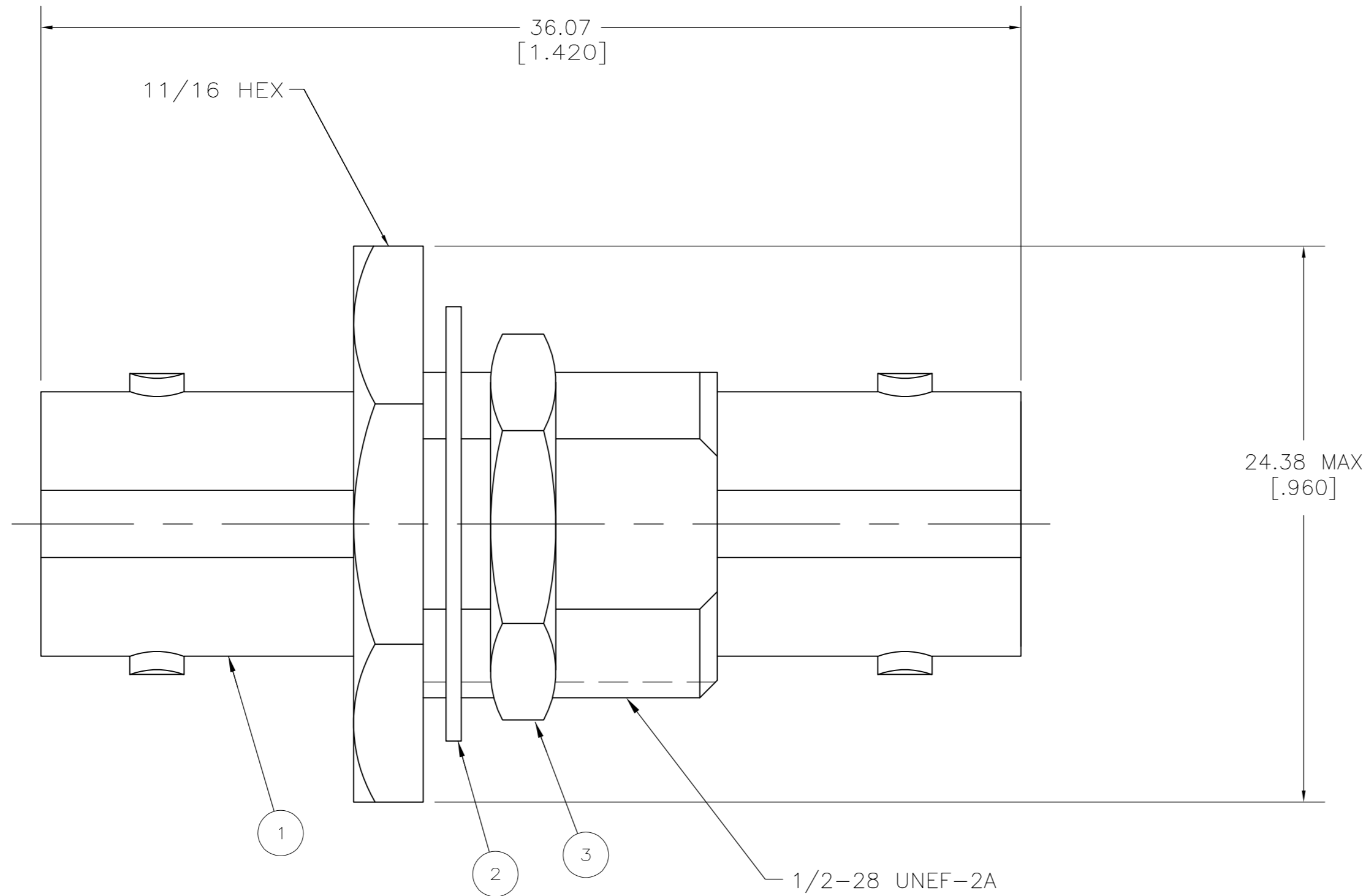
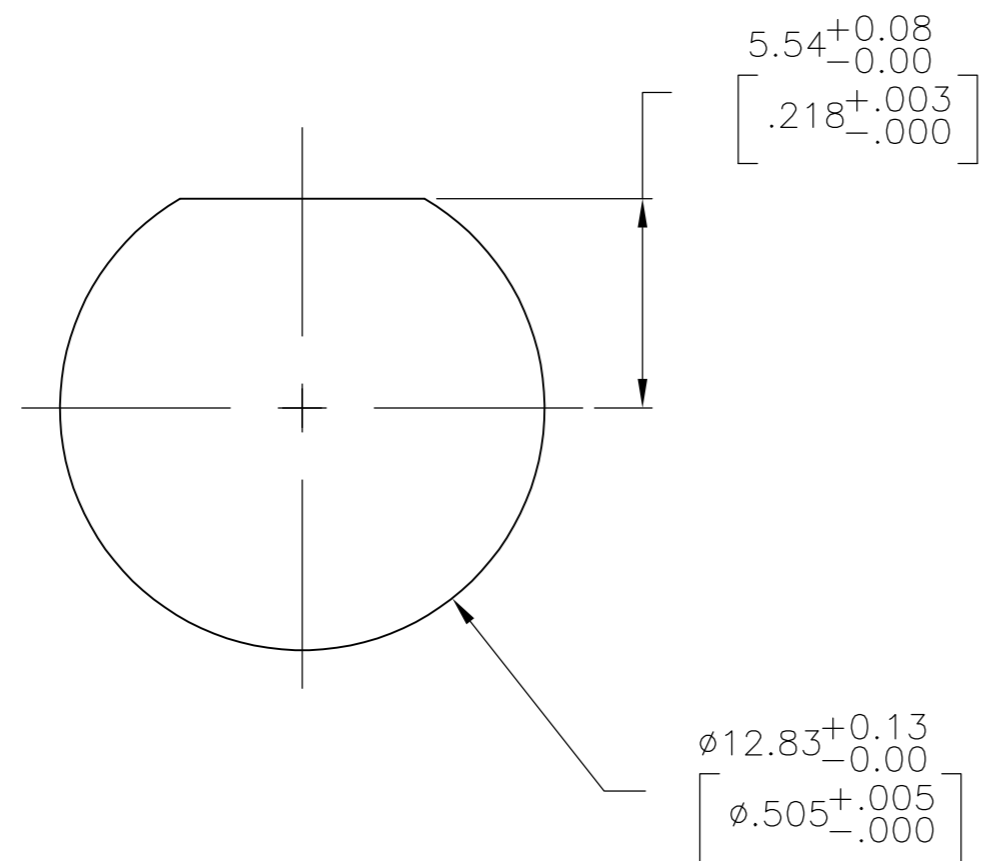


THIS DRAWING IS UNPUBLISHED. RELEASED FOR PUBLICATION
 © COPYRIGHT - By - ALL RIGHTS RESERVED.

LOC	DIST	REVISIONS			
P	LTR	DESCRIPTION	DATE	DWN	APVD
AJ	16	A1	REVISED PER ECO-11-005030	11MAR11	RK HMR



1. PARTS PACKAGED UNASSEMBLED.
2. PANEL THICKNESS = 6.35 [.250] MAX.



RECOMMENDED PANEL CUTOUT

1-329631-2	1-329632-2	228255-2	5228226-3
1-329631-2	1-329632-2	9-228255-0	5228226-1
③ JAM NUT QTY=1	② LOCK WASHER QTY=1	① JACK ADAPTER ASSEMBLY QTY=1	PART NUMBER

THIS DRAWING IS A CONTROLLED DOCUMENT.		DWN A. FERNANDEZ-DOCK5 18APR2005	TE Connectivity	
DIMENSIONS: mm [INCHES]	TOLERANCES UNLESS OTHERWISE SPECIFIED:	CHK J. HAVENER 18APR2005	NAME JACK TO JACK ADAPTER, BULKHEAD MOUNT, BNC	
	0 PLC ± -	APVD J. LIPPERT 18APR2005	SIZE	CAGE CODE
	1 PLC ± -	PRODUCT SPEC	A2	00779
MATERIAL	2 PLC ± -	APPLICATION SPEC	DRAWING NO	RESTRICTED TO
	3 PLC ± -	FINISH	C=5228226	-
	4 PLC ± -	WEIGHT	SCALE	SHEET
	ANGLES ± -	CUSTOMER DRAWING	5:1	1 of 1
			REV	A1

5228226